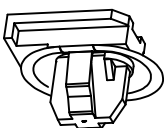
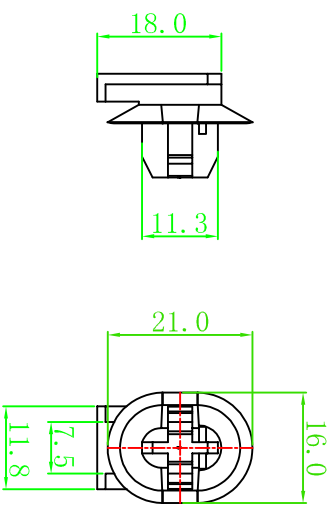
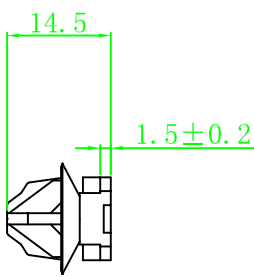


料号 Part NO.	品名 Parts Name	型号 Part NO.	孔径 HoleDia	适用板厚 Panel Thickness
89-E104-DWJ-05	汽车卡扣	DWJ-05	7.0*12.0	0.6-3.0



注：
 材质：PA66
 颜色：白色
 温度：可达105℃
 未注公差：±0.5mm



未经许可不得修改和复印
 该知识产权属于技术质量部

DIMENSION	TOLERANCES						
0.0	±0.30						
0.00							
PRIST ANGLE PROJ							
A	NEW PART	DWG. BY	CHK. BY	DATE	DWG. BY	CHK. BY	DATE
LTR.	REVSTON RECORD	Wang liang	Wang shiyuan	2021.08	Wang shiyuan	Wang shiyuan	2021.08
DWG. BY	CHK. BY	UNIT	DWG. NO.				
Wang liang	Wang shiyuan	mm	HIMA-QR-JZ-89-E104-DWJ-05				
CHK. BY	REV.						
Wang liang	A						
APP. BY							
Wang shiyuan							
苏州惠华电子科技有限公司							